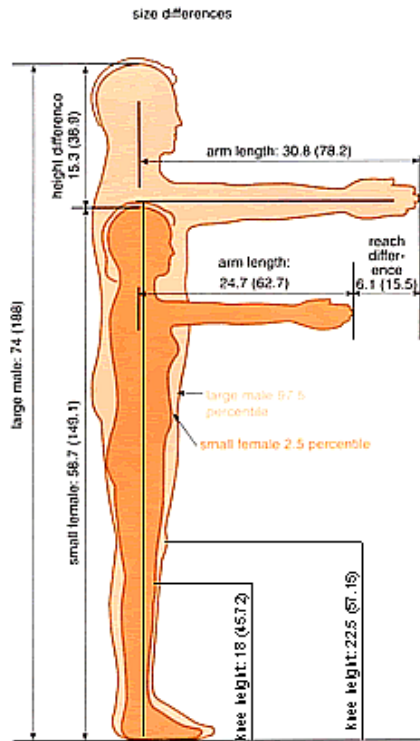


Information for Chair Design



Human body measurements to be used for design.

Figure 25 Variations in size and shape of US adults (measurements are given in both inches and centimetres)

hip width sitting:
21.3 (54.1) round
11.4 (29) thin

shoulder width:
22.8 (57.9) muscular
14.5 (36.8) thin

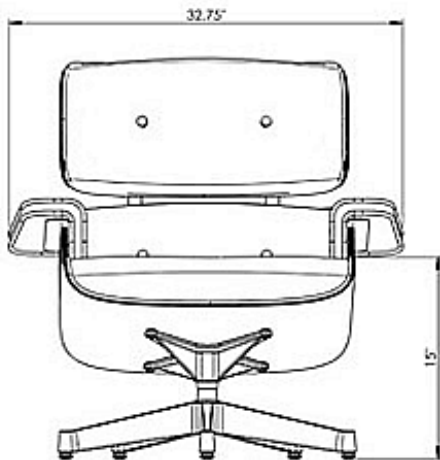
head width:
7 (17.8) muscular
5.3 (13.5) thin

note: range values

differences in body sizes and types affect conditions involving head clearance, reach, sitting space, and steering wheel clearance.

Traditional Office Chair Design

Sized to fit an average female frame.



FRONT VIEW
SCALE 1:10



END VIEW